

# Internal radio sounder



The SDR-2R-INT internal sounder is ideal for those hard-to-reach areas out of earshot of keypads or panels - but where users need to hear system sounds. Designed with a discreet housing, the unit blends in easily in entrance halls and other aesthetically sensitive areas. What's more, it offers the option of connecting via either a radio expander or control unit with built-in radio capability.

Scantronic Secure Radio (SSR) products feature advanced two-way communication and true signal encryption, ensuring market leading cybersecurity comes as standard. Over-the-air updates keep devices future-proof and reduce labour time onsite, whilst shortened device response times improve battery life and ensure rapid event notification, minimising false alarms.

## At a glance...

- 2-way encrypted radio
- LED diagnostics
- Suitable for wire-free installation
- Uses 4 x AA batteries
- 80dB output
- All system sounds including entry/ exit, fault and alarm tones
- Multiple internal radio sounders can be put on the same system
- Compatible with all current i-on or Scantronic series control panels

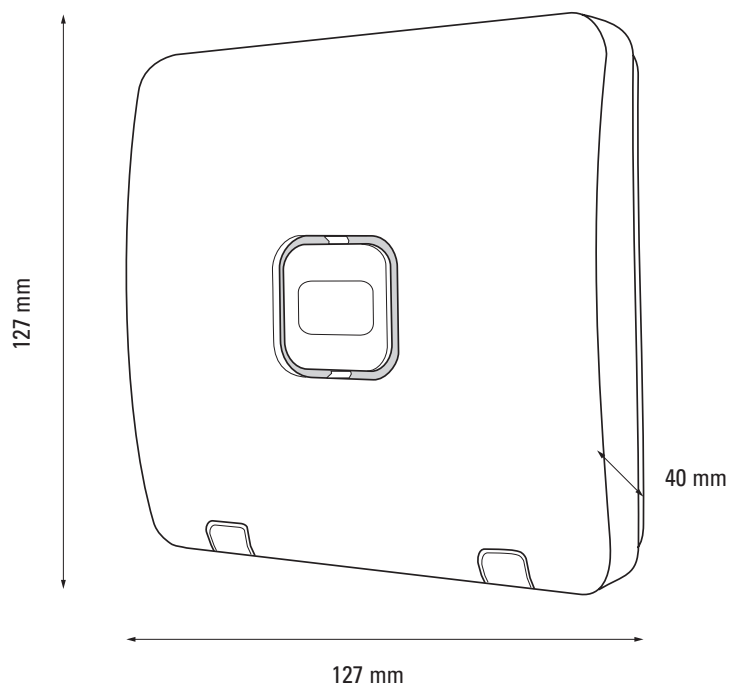


*Powering Business Worldwide*

# Scantronic product data sheet

## Product specification

Product Code	SDR-2R-INT
Current consumption	Active current 100mA. Quiescent current 30 $\mu$ A when powered by batteries, or 12 mA when powered externally
Sound Output	80dB at 1 metre
Radio Frequency	868-868.5MHz (SSR mode)   868.6625MHz (Legacy mode)
Range	700m in free space
Cut-off period	Auto-silences after 3 minutes if powered only by batteries
Case material	Polycarbonate
Intrusion standards	PD6662:2017, EN50131 Grade 2
Battery type	4 x 1.5Vdc AA alkaline
Battery life	24 months when powered only by batteries, assuming a total of 80 seconds per day of entry/exit tones
Weight	275g (with batteries)
Compliance with EU Radio Equipment Directive (RED)	Compliant
Operating Temp. Range	-10°C to +55°C
Max Relative Humidity	95%
Dimensions	127mm (h) x 127mm (w) x 40mm (d)



**Eaton**  
Electrical Sector  
EMEA Route de la Longeraie 7  
1110 Morges, Switzerland

**Eaton Electrical Systems Ltd.**  
Llantarnam Park,  
Cwmbran, NP44 3AW  
Tel: +44 (0)1302 303 99

Tel: +44 (0)1594 545 400  
Email: [securitysales@eaton.com](mailto:securitysales@eaton.com)  
Web: [www.myscantronic.com](http://www.myscantronic.com)

Eaton is a registered trademark of Eaton Corporation.

All other trademarks are property of their respective owners.