

Stand alone communicator



The 8400 is a wired, auto-dialling digital communicator, capable of being programmed to support monitored installations that require a police response.

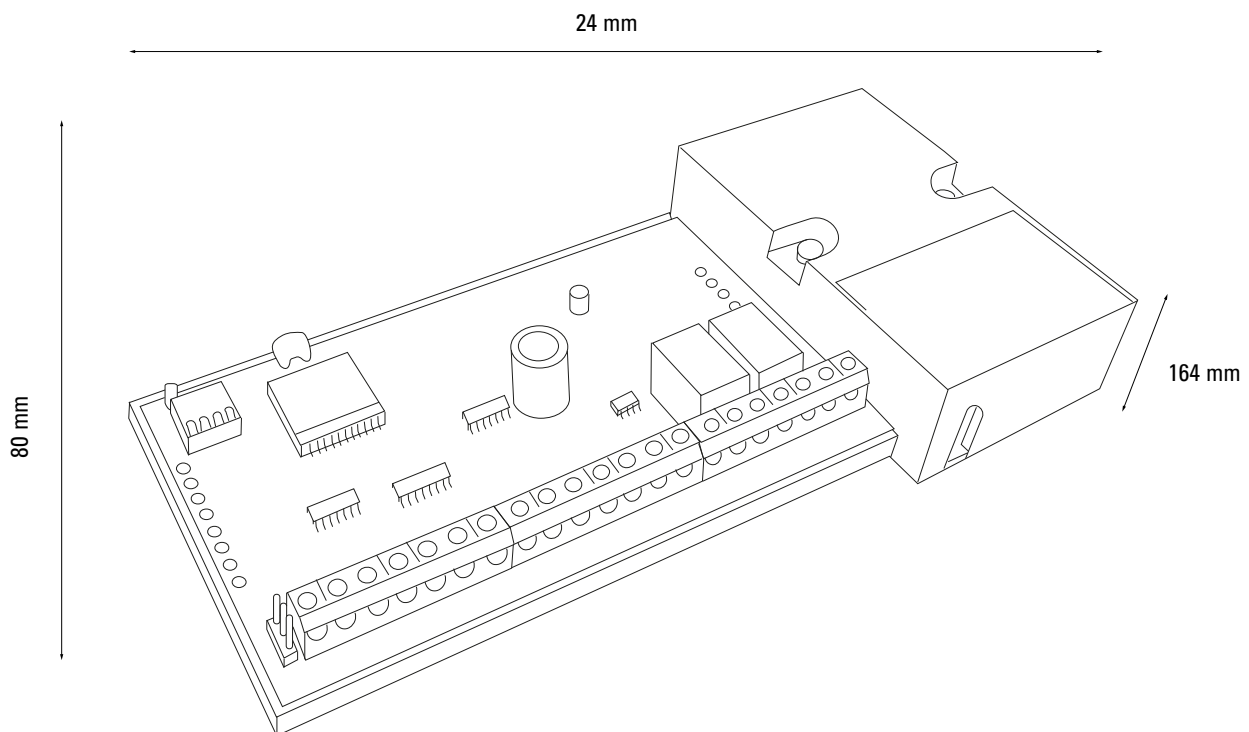
At a glance...

- Three telephone number capability
- Uses reprogrammable NVM chip
- BAPT approved

Scantronic product data sheet

Product specification

Product Code	08400UK-21
Power supply	12V DC
Operating temperature	-15 to +50
Humidity	80%
Environmental	Class II
Antenna	n/a
ARC format	Fast format
Max. number of inputs	8
Max. number of outputs	2
Dimensions	(HXWXD) 80mmX24mmX164mm



Compare product compatibility with our easy to read chart: www.eaton.com/security-works-with

Eaton
Electrical Sector
EMEA Route de la Longeraie 7
1110 Morges, Switzerland

Eaton Electrical Products Ltd
Security House,
Vantage Point Business Village,
Mitcheldean, Gloucestershire
GL17 0SX

Tel: +44 (0)1594 545 400
Email: securitysales@eaton.com
Web: www.myscantronic.com

Eaton is a registered trademark of Eaton Corporation.

All other trademarks are property of their respective owners.