

Two-Way Radio Repeater



Perfect for installations where the environment or building structure makes it difficult to achieve strong radio signals.

The RPT-2R repeats radio signals and allowing the ability to overcome difficulties of the environment or building structure

The RPT-2R can repeat up to 10 zones, two radio keypads, two external radio sirens, and two internal radio sounders. It also contains a speaker so that it can be quickly located.

Scantronic Secure Radio (SSR) products feature advanced two-way communication and true signal encryption, ensuring market leading cybersecurity comes as standard. Over-the-air updates keep devices future-proof and reduce labour time onsite, whilst shortened device response times improve battery life and ensure rapid event notification, minimising false alarms.

At a glance...

- Grade 2
- Tamper detection
- Simple installation, through familiar set-up menu
- Cybersecure, AES128 encryption
- Bidirectional control and communication
- Supports SSR devices only

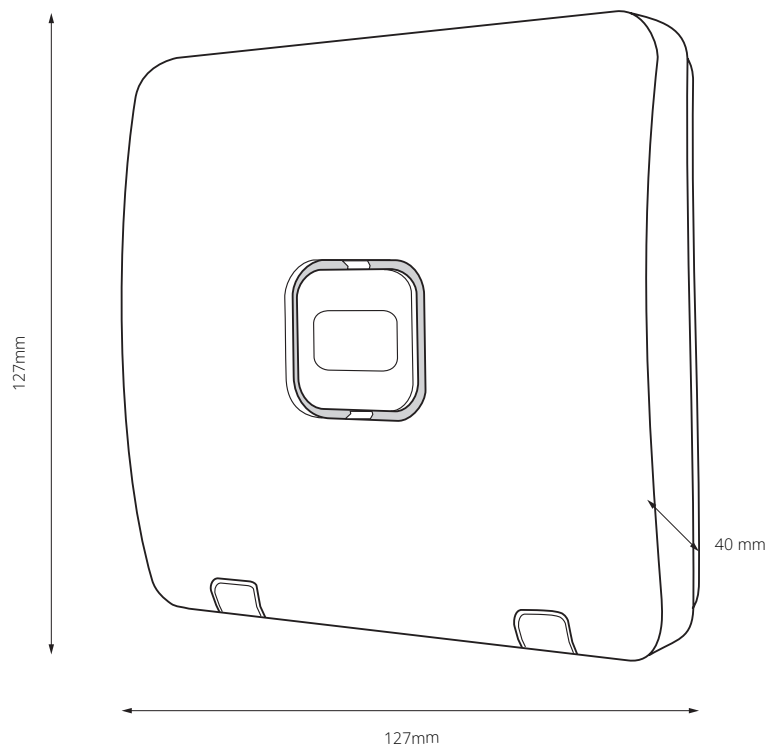


Powering Business Worldwide

Scantronic product data sheet

Product specification

Product code	RPT-2R
Battery	2 x AA Alkaline 1.5Vdc
Radio frequency	868.0-868.6MHz
Range	700m in free space
Quiescent current	12mA
Max. current	18mA
Compliance with EU Radio Equipment Directive (RED)	Compliant
Relative humidity	0-95%, non-condensing
Security grade	2
Standards	EN 50131-5-3:2017; PD 6662:2017
Temperature range	-10 to +55 °C
Environmental class	II
Weight	220g (with batteries)
Dimensions	127mm (h) x 127mm (w) x 40mm (d)



Eaton
Electrical Sector
EMEA Route de la Longeraie 7
1110 Morges, Switzerland

Eaton Electrical Systems Ltd.
Llantarnam Park,
Cwmbran, NP44 3AW
Tel: +44 (0)1302 303 99

Tel: +44 (0)1594 545 400
Email: securitysales@eaton.com
Web: www.myscantronic.com

Eaton is a registered trademark of Eaton Corporation.

All other trademarks are property of their respective owners.