

MULTIMAX L-ION PORTABLE FIRE EXTINGUISHERS


PRODUCT OVERVIEW

MultiMax L-ion is a breakthrough, next generation fire extinguisher engineered to deliver comprehensive protection against diverse fire classes, including Class A, Class B, Class C, Electrically Started Fires, and Class F. MultiMax is rigorously tested and certified under NTA 8133, BSI Kitemarked, and CE standards, guaranteeing compliance with international and national safety benchmarks. Engineered for industrial, commercial, and residential environments, it combines durability, superior extinguishing performance, and operator safety into one versatile solution.




FIRE CLASS COVERAGE




Class A: Solid combustibles such as paper, wood, fabric, and furniture. 




Class B: Flammable liquids like petrol, diesel, kerosene, paints, and solvents. 




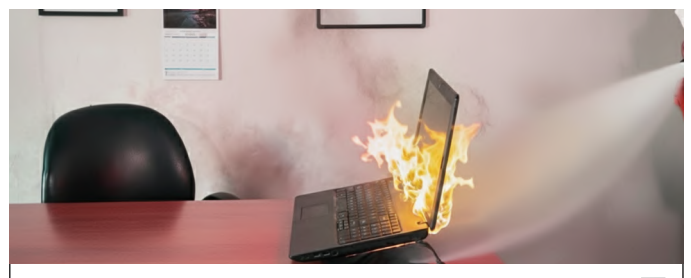
Class C*: Combustible gases such as LPG, propane, and methane. 




Class ESF: Fires arising from energized electrical equipment, short circuits, and panels. 



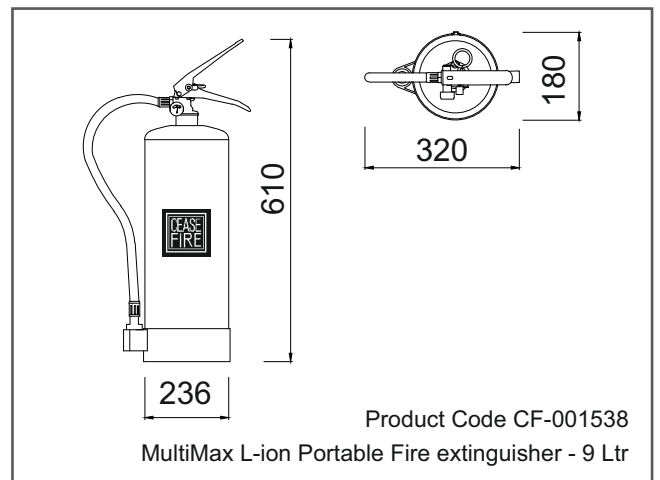
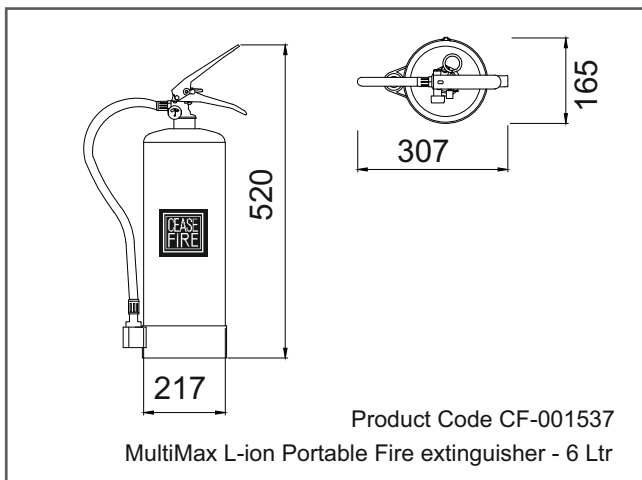
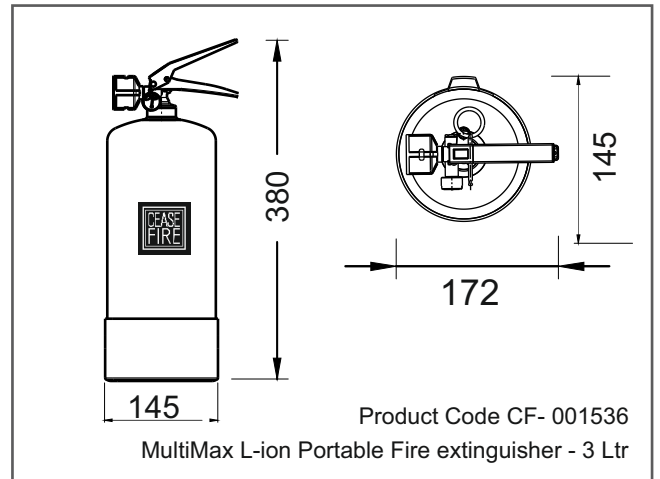
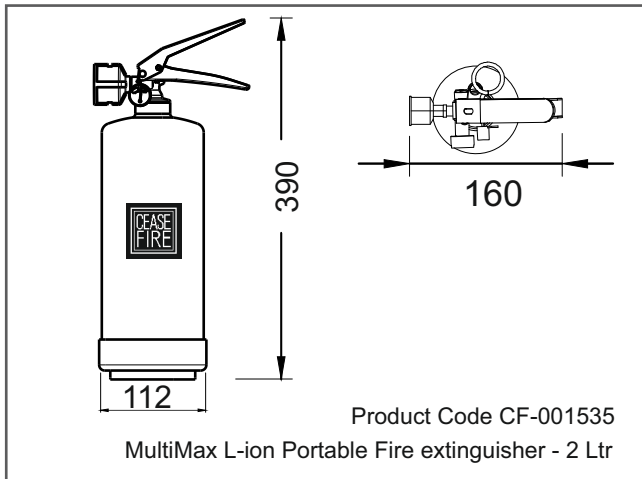
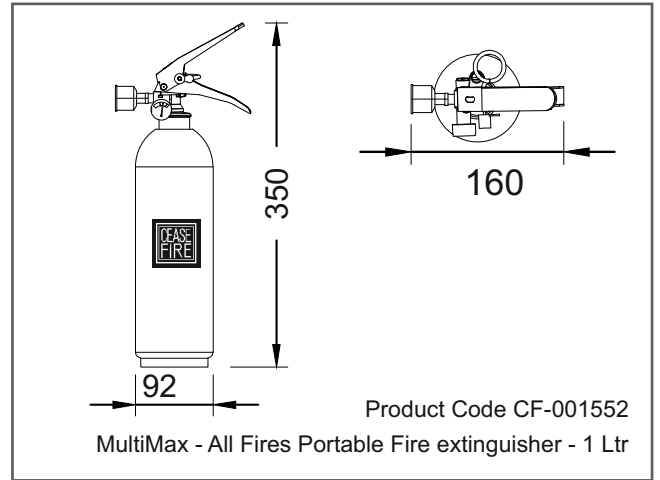
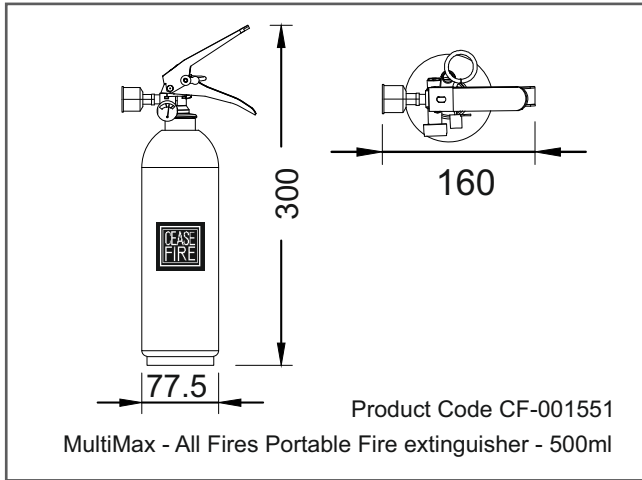
Class F: Cooking oil fires in hotel kitchens and staff cafeterias. 



Li-ion Battery Fires: In phones, laptops, medical devices, and EV charging zones. 

*Tested for Class C Fire as per Australian Standard [AS/NZS 1850:2009].

ENGINEERING DRAWINGS





| Product Code | UOM | CF-001551 | CF-001552 | CF-001535 | CF-001536 | CF-001537 | CF-001538 |
|---|-------|---------------------------------------|---------------------------------------|---------------------------------------|---------------------------------------|--|--|
| Type of Dis. Fitting & Length | mm | Nozzle (Spray Type) | Nozzle (Spray Type) | Nozzle (Spray Type) | Nozzle (Spray Type) | EPDM Rubber Braided Hose Pipe with nozzle (Spray Type) Length of Hose (Flexible Section) - 410 | EPDM Rubber Braided Hose Pipe with nozzle (Spray Type) Length of Hose (Flexible Section) - 480 |
| Valve | Sec. | Nickle Coated Brass | Nickle Coated Brass | Nickle Coated Brass | Nickle Coated Brass | Nickle Coated Brass | Nickle Coated Brass |
| Valve Safety | Sec. | Pressure Relief Valve | Pressure Relief Valve | Pressure Relief Valve | Pressure Relief Valve | Pressure Relief Valve | Pressure Relief Valve |
| Average discharge duration as per BS EN 3-7:2004+A1:2007, clause 71.2 | Sec. | 10.5* | 11.5* | 12.5 | 13.5 | 28 | 40 |
| Throw* | meter | 2 | 2 | 5 | 5 | 6 | 6 |
| Fire Rating to EN 3-7 | — | 1A**, 8B, F** | 2A**, 13B, 5F | 8A, 34B, 5F | 8A, 55B, 25F | 21A, 144B, 40F | 27A, 183B, 40F |
| Battery Rating to NTA 8133 | Wh | - | - | - | - | 600 | 600 |
| Operating Temperature Range | °C | +5 to +60 | +5 to +60 | +5 to +60 | +5 to +60 | +5 to +60 | +5 to +60 |
| Applicable to Type of Fire | — | Class A, B, C***, ESF, F & Li-Battery | Class A, B, C***, ESF, F & Li-Battery | Class A, B, C***, ESF, F & Li-Battery | Class A, B, C***, ESF, F & Li-Battery | Class A, B, C***, ESF, F & Li-Battery | Class A, B, C***, ESF, F & Li-Battery |
| Gross Weight (approx.)**** | Kg | 1.5 | 1.98 | 3.65 | 5.00 | 9.40 | 13.40 |
| Product Warranty | Year | 5 | 5 | 5 | 5 | 5 | 5 |

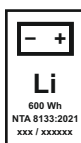
*As per in-house testing.

**Derated.

***Tested for Class C Fire as per Australian Standard (AS/NZS 1850:2009).

****It includes Empty Extinguisher, Contents, Plastic Base, Hose / Horn and bracket.

CERTIFICATIONS



PRODUCT PICTURES



500 ml



1 Ltr



2 Ltr



3 Ltr



6 Ltr



9 Ltr

*v1' Published Date is 29-01-2026.

**Regular R&D and product improvisations may lead to change in product specifications in this data sheet, without any prior notice.