



Mains Powered Wireless Gateway

User's Manual



1.Important Safeguards and Warnings

This section introduces content covering the proper handling of the device, hazard prevention, and prevention of property damage. Read carefully before using the device, and comply with the guidelines when using it.

Operation Requirements



- Make sure that the power supply of the device works properly before use.
- Do not pull out the power cable of the device while it is powered on.
- Only use the device within the rated power range.
- Transport, use and store the device under allowed humidity and temperature conditions.
- Prevent liquids from splashing or dripping on the device. Make sure that there are no objects filled with liquid on top of the device to avoid liquids flowing into it.
- Do not disassemble the device.

Installation Requirements



- Connect the device to the adapter before power on.
- Strictly abide by local electrical safety standards, and make sure that the voltage in the area is steady and conforms to the power requirements of the device.
- Do not connect the device to more than one power supply. Otherwise, the device might become damaged.



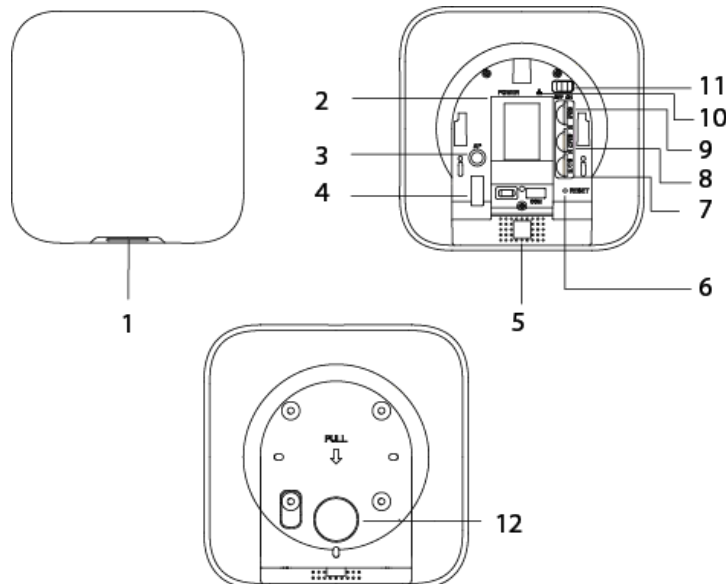
- Observe all safety procedures and wear required protective equipment provided for your use while working at heights.
- Do not expose the device to direct sunlight or heat sources.
- Do not install the device in humid, dusty or smoky places.
- Install the device in a well-ventilated place, and do not block the ventilator of the device.
- Use the power adapter or case power supply provided by the device manufacturer.
- The power supply must conform to the requirements of ES1 in IEC 62368-1 standard and be no higher than PS2. Note that the power supply requirements are subject to the device label.
- Connect class I electrical appliances to a power socket with protective earthing.

2.Introduction


2.1 Overview

The Mains Powered Wireless Gateway can pair with Wisualarm wireless interconnected products and work in conjunction with the Wisualarm app to gather data. After the successful pairing, it stays connected to your interconnected products at all times with instant app push notifications. In case of a fire or emergency, when one alarm is triggered, all connected alarms will sound an alarm and notifications will be sent to your smart phone, allowing you to know the danger in your home at a glance. You can receive immediate alerts and remotely operate via Wisualarm app, no matter where you are.

2.2 Product Profile

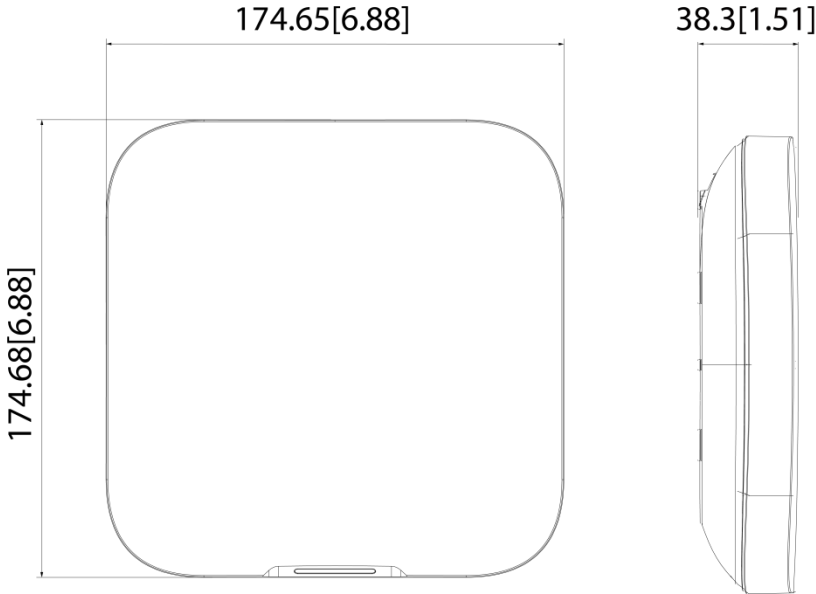


No.	Name	Introduction
1	Indicator	<ul style="list-style-type: none"> • Standby: Green indicator stays on continuously • Pairing: Green indicator flashes quickly (once per 0.5 seconds) • Unpairing: The indicator returns to the initial state • Alarm: Red indicator remains lit • Fault: Yellow indicator remains lit • Distributed the network successfully: Blue indicator remains lit • AP distribution mode: Blue indicator flashes quickly (once per 0.5 seconds) • Reset: Red indicator flashes quickly (once per 0.5 seconds)
2	Power port	Connect to power supply

No.	Name	Introduction
3	AP button	Press 4 times to turn on the AP function. You can also turn off the AP through pressing the button once when AP is enabled
4	Tamper switch	When the tamper switch is released, the tamper alarm will be triggered
5	Speaker	Alarm Sound: 70dB (A) at 3 m (9.84 ft)
6	Reset button	Press and hold the button for 3 seconds to restart the gateway and restore factory default settings
7	SD card slot	Insert the SD card
8	Slot for SIM 1 & 2	Install main card to the first slot, and standby card to the second slot <ul style="list-style-type: none"> • Support dual SIM cards and single standby • SIM cards allow the gateway to use cellular data, and push alarm notifications
9		 <ul style="list-style-type: none"> • SIM cards will not work until network configuration has been completed • SIM function is only available on select models
10	Ethernet cable socket	Connect the gateway to the Ethernet
11	Power switch	Turn on or turn off the gateway
12	Back cover	If the back cover is opened, the tamper alarm will be triggered

2.3 Dimensions

Figure 2-2 Dimensions (mm[inch])



3. Technical Information

Specification	Introduction
Power Supply	AC 100-240V
Battery Back-up	4750mAh, 17.57Wh Rechargeable lithium battery
Operating Temperature	-10° C to +55° C (+14° F to +131° F)
Operating Humidity	≤95% RH (non condensing)
Alarm Volume	≤70 dB
Alarm Mode	Visual and audible alarm
App	Wisualarm (both Android and iOS supported)
Wi-Fi Frequency	2.4 GHz (Incompatible with 5 GHz Wi-Fi network)
Operating Frequency	868 MHz
Wi-Fi Transmission Range	50 m (164 ft)
Wireless Protocol	IEEE 802.11b/g/n
Color	White
Casing	ABS
Dimensions	L175mm × W175mm × H36mm (L6.89" × W6.89" × H1.42")
Weight	500 g (1.10 lb)
Installation	Free-standing/Wall mounting

4.Device Setup

Follow the procedures below to set up device.

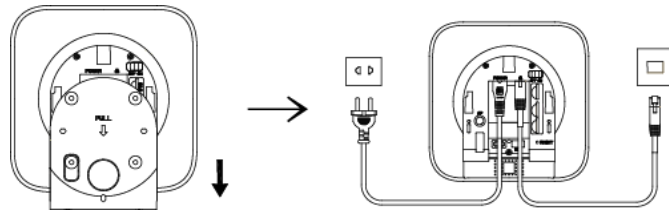
Figure 3-1 Operation process



Power On

Connect the gateway to the Ethernet, and power on the gateway.

Figure 3-2 Power on



Adding Devices

Step 1 Logging in to Wisualarm.

Please scan the QR code below, or search for “Wisualarm” in the app store to download and install the app.

If you already use the app, make sure that you are using the latest version.



- Run Wisualarm App, and register an account for the first use.
- Connect the device to a stable and uninterrupted 2.4GHz Wi-Fi network (incompatible with 5GHz Wi-Fi network).



Step 2 Connect power cable and Ethernet cable.

Step 3 Tap "+", select “Scan QR Code” or “Add Manually”, follow the instructions to add device.

Step 4 After successful connection, the blue indicator goes solid. Then App will go back to the Device name and Room configuration page.



You can customize the names of added devices and specify the room where the devices are located. Then tap **Save**.

Step 5 Select the device, you can see the Sub device list, alarm message, network status, device status, LED switch, more information, and Node testing.

Installing the Gateway

For details, see 5.3 Installation Process.

5. Device Installation

5.1 Packing List

Check the package according to the following checklist. If you find device damage or any loss, contact the after-sales service.

Table 6-1 Checklist

Name	Quantity
Wireless Gateway	1
Mounting Plate	1
Screw Package	2
Cable	1
Adapter	1
User's Manual	1
Quick Start Guide	1

5.2 Installation Position

This device is intended for use in ordinary indoor locations. Please do not place the device in the following areas:

- Places near metal objects that can weaken and block the radio signal.
- Places with a weak GSM signal.
- Places close to radio interference sources t within 1 meter of the router and power cables.
- Places where the temperature and humidity exceed allowed limits.

5.3 Installation Process

The Gateway is designed to lie flat or be secured to a wall.

- Mounting on wall

Follow below steps to install the device properly.

Step 1 Confirm the position of the screw holes, and then drill them into the mounting plate.

Step 2 Insert the expansion bolts securely into the holes.

Step 3 Attach the mounting plate into the wall, and then align the screw holes on the plate with the expansion bolts.

Step 4 Fix the mounting plate with ST4 × 25 mm self-tapping screws.

Step 5 Put the device into the mounting plate from top to bottom.

Step 6 Secure the device and mounting plate together with M3 × 8 mm countersunk head screws.

Figure 5-1 Installation (1)

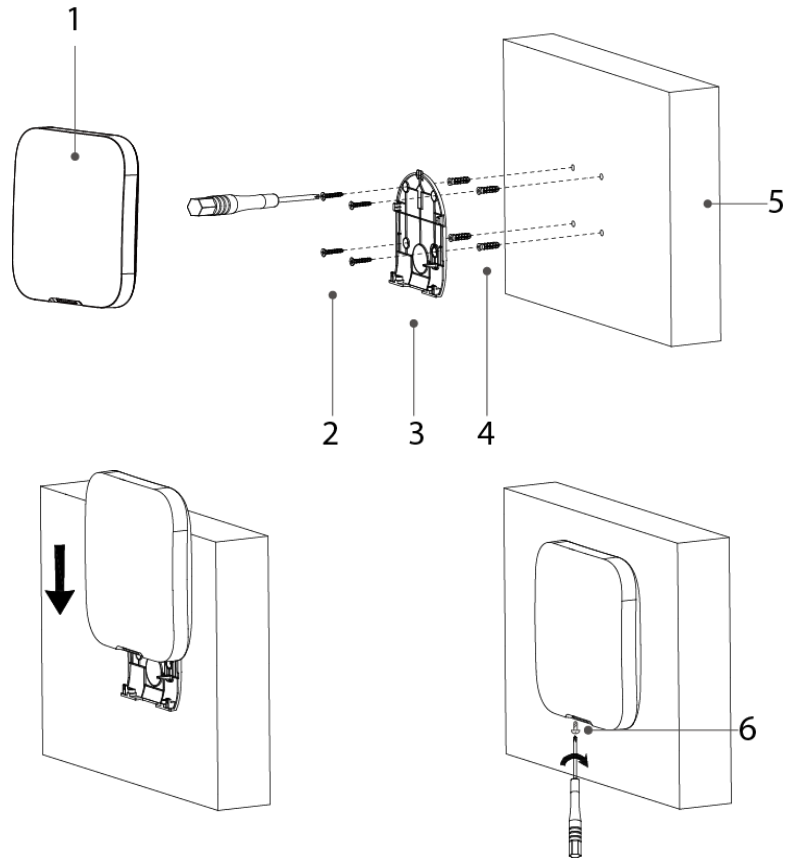
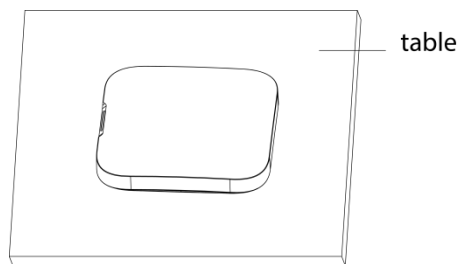


Table 5-1 Installation items

No.	Item Name	No.	Item Name
1	Gateway	4	Expansion bolt
2	ST4 × 25 mm self-tapping screw	5	Wall
3	Mounting plate	6	M3 × 8 mm countersunk head screw

- Placing on table
Choose a suitable place to put the device. Please ensure a stable and flat placement.

Figure 5-2 Installation (2)



6. Discard



Waste electrical products should not be disposed of your other household waste. Please dispose in an environmentally friendly manner, and strictly follow the local regulations regarding the disposal or recycling of the electrical device.



WARNING

Do not burn or throw into fire.

7.Warranty and Contact

If you need after-sales service, please contact your local dealer or retailer.

Western EU Importer: Dahua Europe B.V.

Address: Louis Braillelaan 80, 2719 EK Zoetermeer The Netherlands

Email address for service purposes: support.benelux@dahuatech.com

CEE & Nordic Importer: Dahua Technology Poland Sp. z o .o.

Address: ul. Salsy 2, 02-823 Warszawa

Email address for service purposes: partner@wisualarm.com

UK Importer: Dahua Technology UK Ltd.

Address: 3rd Floor, Quantum House, 60 Norden Road, Maidenhead, SL6 4AY

Email address for service purposes: support.uk@dahuahelp.com (for UK),
support.uk@dahuatech.com (for Ireland)

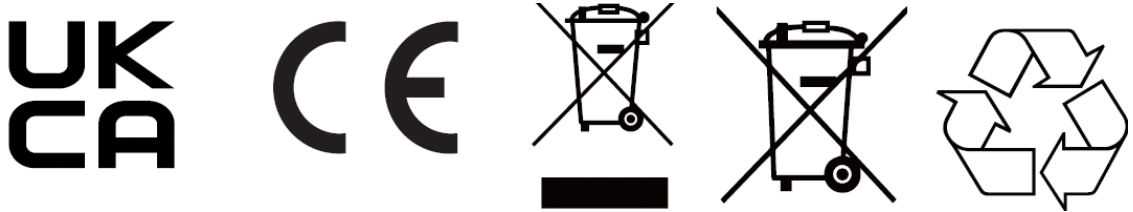
Germany Importer: Dahua Technology GmbH

Address: Niederkasseler Lohweg 185, 40547 Düsseldorf

Email address for service purpose: support.de@dahuatech.com

8. Documents

The full text of the EU declarations of conformity and EU declarations of performance is available at the following internet address: <https://en.wisualarm.com/en/Download>



For more information, please scan the QR code below or visit <https://en.wisualarm.com/en/Product>.

