

ESPIRE

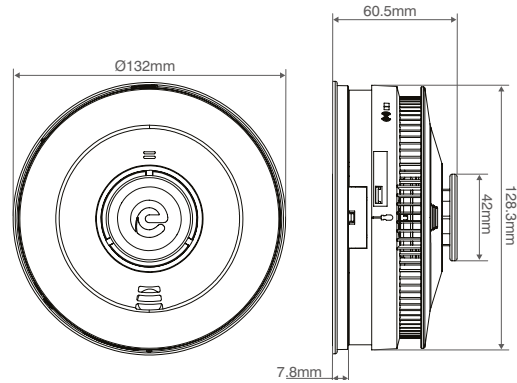
Product Code: ES1MUL

Description: Smoke and Heat Multi-Sensor Alarm Powered by a 10 Year Lithium Battery

Technical Specification Multi-Sensor Alarm

Luckinslive 437540117

ESP
ScolmoreGROUP



General Information

Dimensions (mm)	Ø132 x 60.5
Colour	White
Materials	UL94-V0 rated UV stabilised ABS
Mounting	Ceiling
Recommended Installation Locations	Living Areas, Loft Areas, Bedrooms, Escape Routes & Stairways
Indication	2 LEDs; Yellow - Fault, Red - Fire
Auto Dim Power LED	No
Manual Test Button	Checks sensor, electronics & sounder
Weight (Kg)	0.253
Warranty (Years)	5

Technical

Sensor Type	Multi Sensor; Sensor 1 - Optical Smoke Sensor 2 - Heat
Heat Detection Class	A1
Heat Detection Temperature (°C)	58
Sounder Output (dB)	85 @ 3m
Hush Function	Alarm hush - 10 minutes, Fault hush - 12 hours
Installation Grade	F1

Supply, Power & Backup

Supply Type	Battery Powered
Operating Voltage (V DC)	3
Battery Backup	Non-replaceable 10 Year Battery
Battery Type	3V Lithium
Battery Size	CR17450
Battery Chemistry	Lithium
Battery Lifetime	10 Year

Interconnectability

Wired Interconnect Supported	No
RF-LINK Supported	Yes; Requires ES1RF2
Maximum Supported Wired & RF-LINK Interconnected Devices	28
Base Type	Anti-Tamper Lock-In Base

Environment

Operating Temperature (°C)	0 to +40
Relative Humidity Resistance (%)	95 (non-condensing)

Accessories

ES1RF2: Alarm RF-Link Module 2
 ES1MP: Alarm Masking Plate
 ES1MTW: Alarm Multi Tool (2 Pack) White
 ES1MTB: Alarm Multi Tool (2 Pack) Black

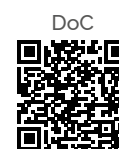
Features

Dust compensation
 Insect mesh
 24 hour memory function
 Clear LED indication status



Unit 7 Target Park, Shawbank Road,
 Lakeside, Redditch B98 8YN United Kingdom
T: +44 (0)1527 515150 | **F:** +44 (0)1527 515143
E: info@espuke.com | **W:** espuke.com

CLICK OR SCAN



CLICK OR SCAN